

Product Features : _____

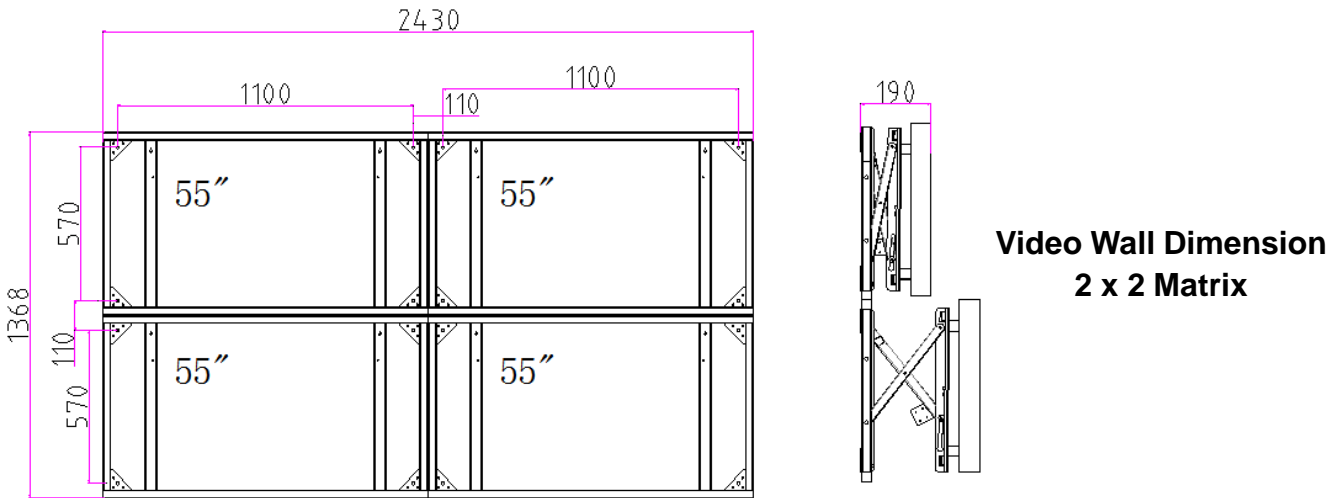
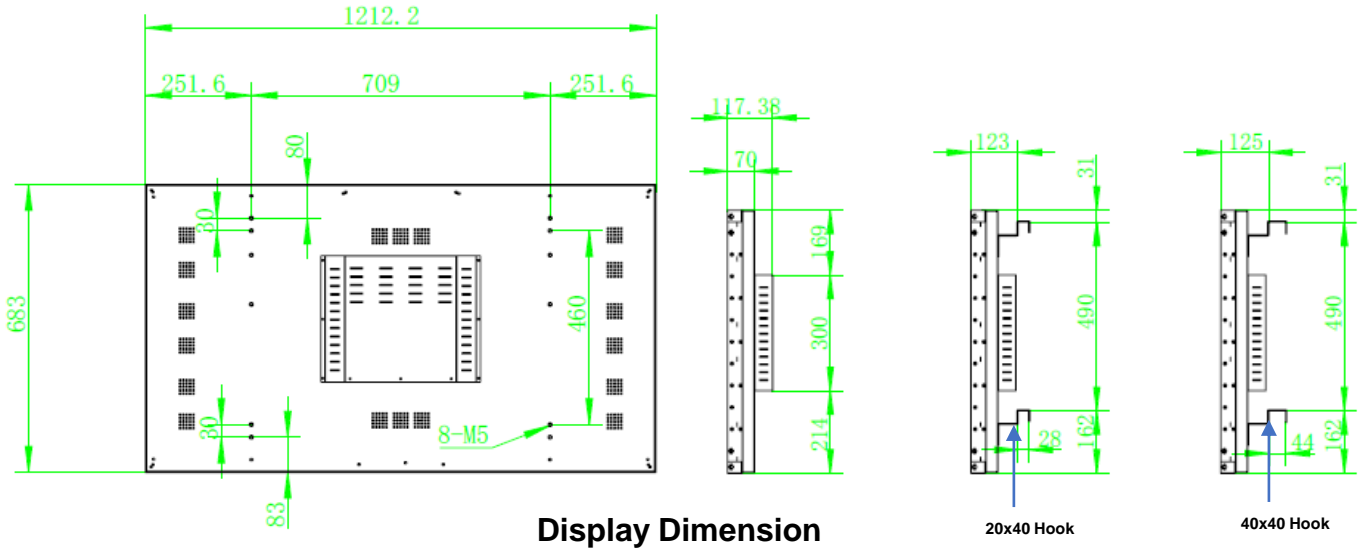
- Original LG LCD Video Wall
- Built-in video wall processor
- Interface: VGA-IN, DVI-IN, HDMI-IN,
- Complete Video Wall Solution with software
- Easy Installation & Maintenance

Specification : _____

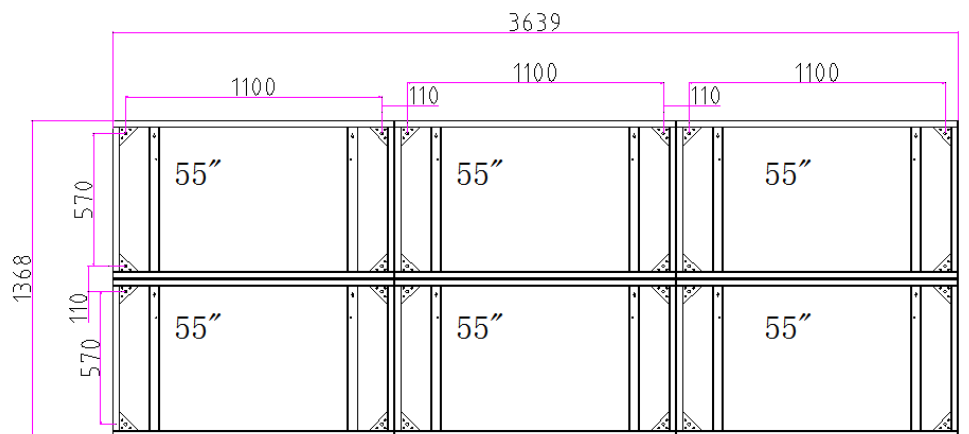
Video Wall Information	
Panel	
Size	55"
Active area	1209.6 (H)mm x 680.4(V)mm
Backlight	LED Backlight
Contrast Ratio	16:9
Slim Bezel	1.8mm (Active to Active)
Resolution	1920*1080
Brightness	500 nits
Contrast Ratio	1200:1
Display Color	16.7M
Viewing Angle	178/178
Response Time	8ms
Frequency	60Hz
Life Time	≥ 50,000hours
Embedded controller	
VGA IN	1
DVI IN	1
HDMI IN	1
USB port	1
USB port	1
RS232(RJ45)	1
AV IN	1
AV OUT	1
Signal Frequency	60HZ
Power	
Power Supply	100 V ~ 240 V, 50-60 Hz
Power Consumption	≤180W
Standby Power Consumption	<0.5W
Operating Temperature	0°C~60°C
Others	
Language	Chinese, English, etc.
Storage Temperature	-20°C~60°C
Operation Humidity	20~80% RH Non-Condensing
Installation	Embedded, Wall Mounted, Floor stand

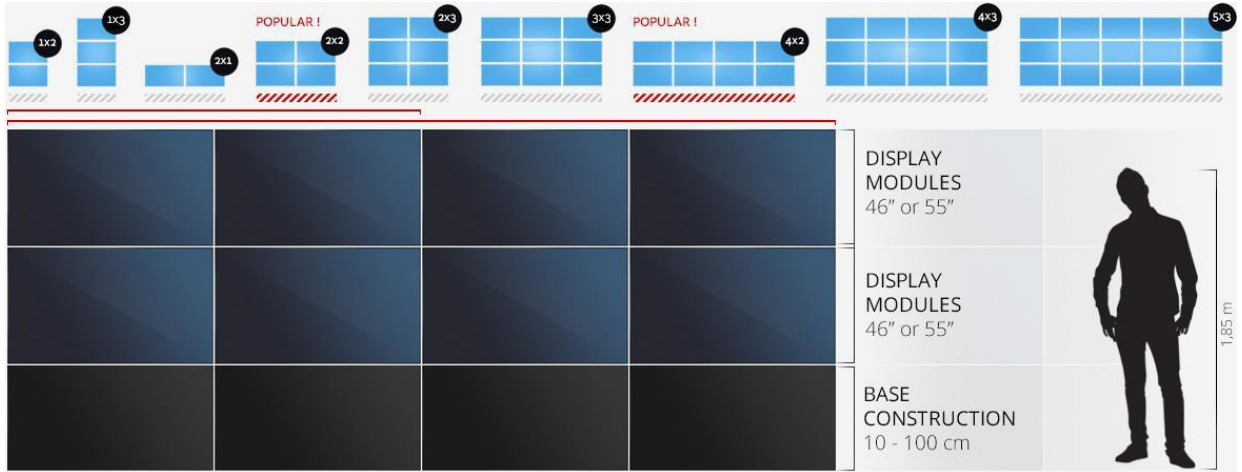


Dimensions : _____

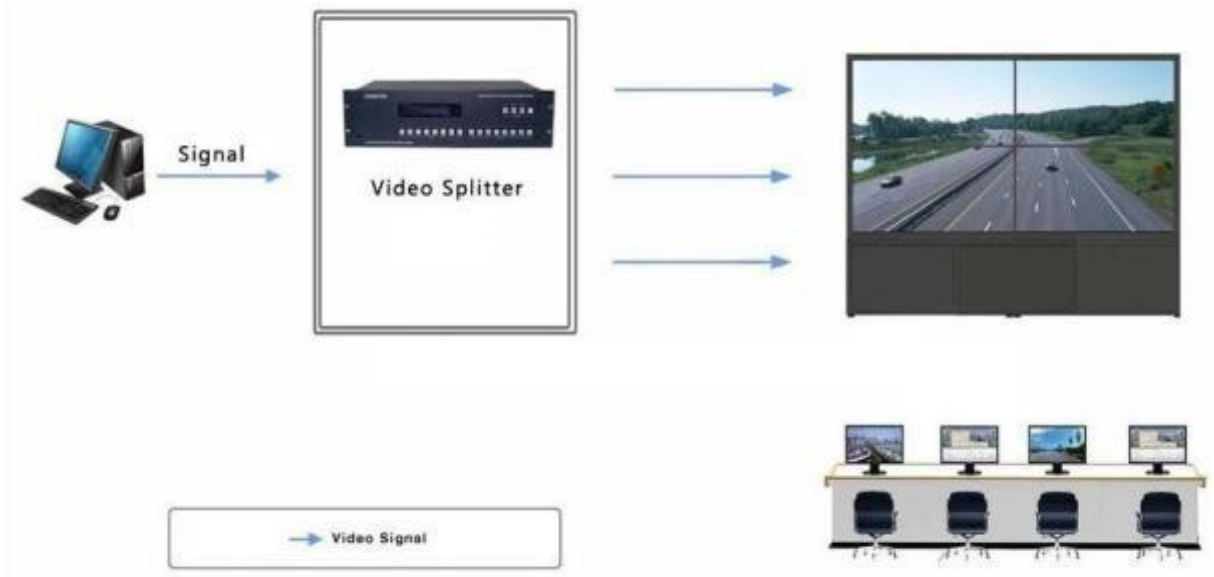


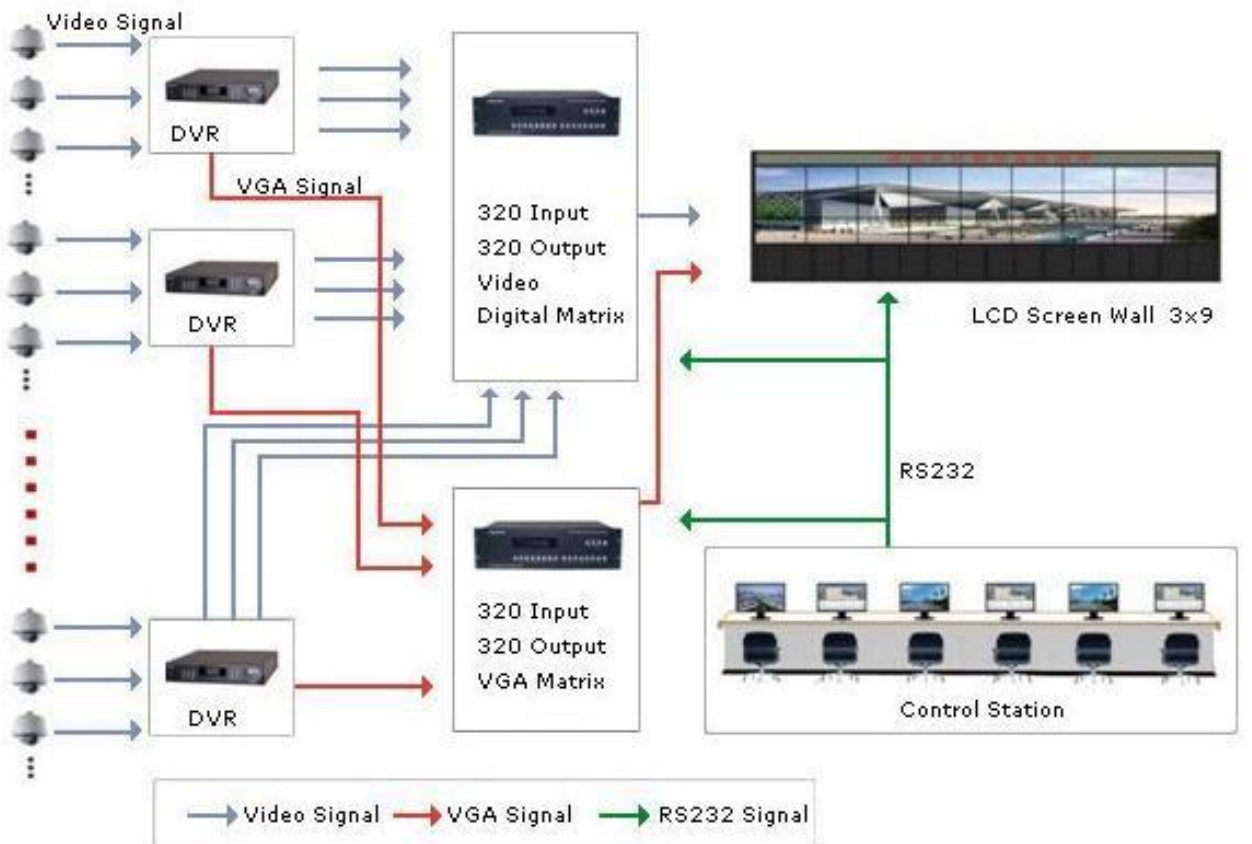
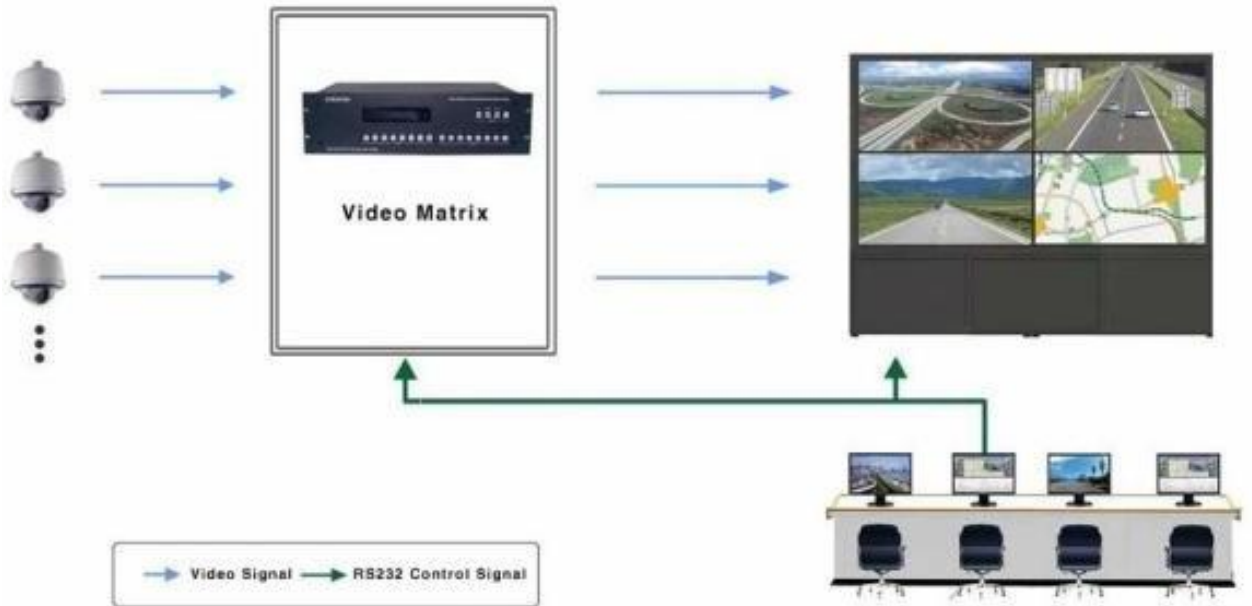
**Video Wall Dimension
3 x 2 Matrix**





Connection Method:





QLITE offers you complete solution

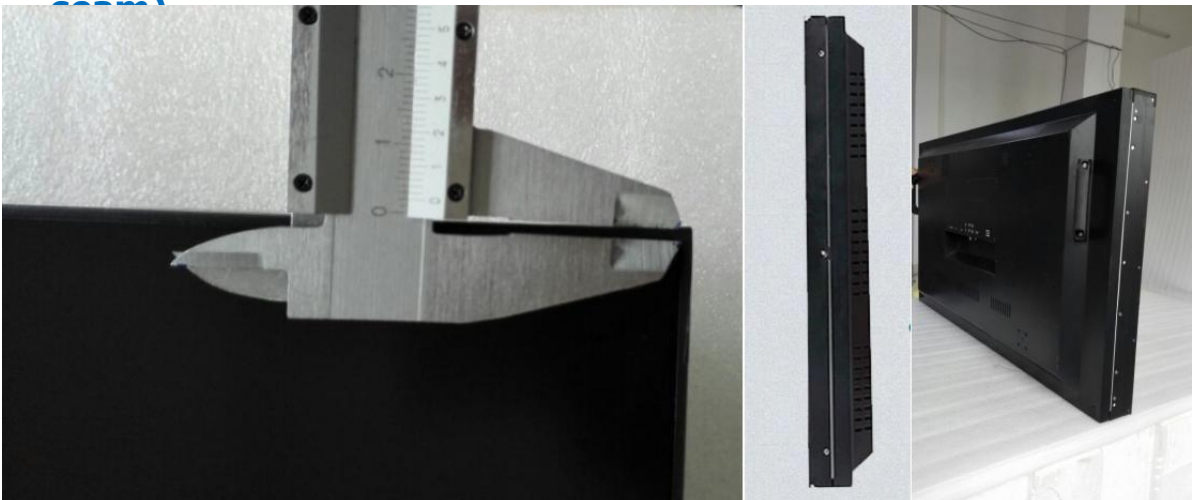
- **Original Industrial A+ Panel**



- **Embedded with Video Wall Processor**



- **Ultra Narrow Design (active to active 2mm)**







Pothook



Handle



Splitter



Matrix (optional)



HDMI cable



VGA cable



DVI cable



Simple Wall Brackets (optional)



Front Maintenance Wall Brackets (optional)



Portable Floor Stand (optional)

- **High brightness 500/700nits**



- **DID Control Software**

